

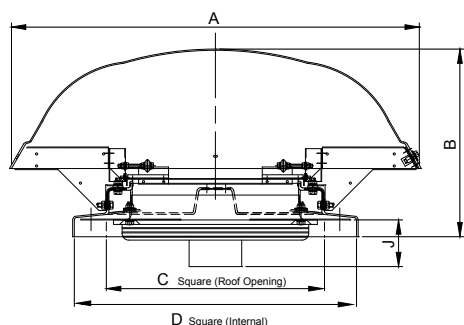
Powrvent

Extract Ventilator

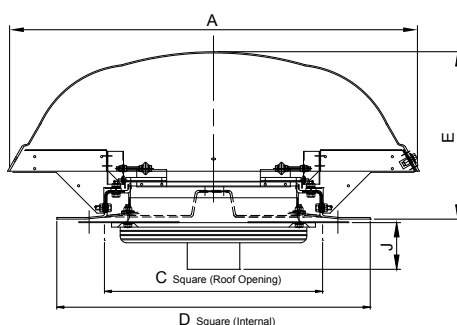


Overview

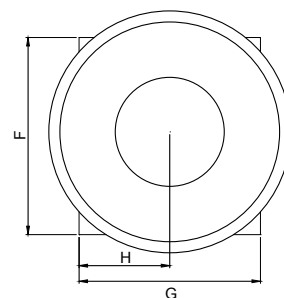
The PVE powered extract ventilator is designed for exhaust ventilation for various premises that require reasonable energy saving solutions and controlled ventilation systems. The range has excellent weathering characteristics and is contoured to provide the maximum performance. The PVE is suitable for either roof or wall mounting and designed for effective performance across a variety of demanding conditions through a wide range of sizes.



PVE



PVE Flat



(For Extract volumes and technical specification please contact Powrmatic Ventilation)

PVE Dimensions

Model	A	B	C	D	E	F	G	H	J	Weight
	mm	mm	mm	mm	mm	mm	mm	mm	mm	kg
PVE 40 ALL	1000	460	535	692	415	815	750	375	106	27
PVE 50 ALL	1220	438	635	790	393	920	880	425	135	38
PVE 60 ALL	1370	498	790	945	453	1150	1085	543	198	51
PVE 75 ALL	1565	595	940	1095	550	1260	1155	578	199	76
PVE 90 ALL	1800	655	1170	1325	610	1545	1425	712	559	144

PVE Performance (900rpm)

Model	Capacity m ³ /s		Run Amps (A)		dBA (1m)	
	1 Ph	3 Ph	1 Ph	3 Ph	1 Ph	3 Ph
PVE 40	0.72	0.72	0.5	0.3	65	65
PVE 50	1.40	1.50	1.1	0.6	72	72
PVE 60	2.46	2.49	2.9	1.3	79	80
PVE 75	N/A	3.48	N/A	2.7	N/A	86
PVE 90	N/A	6.27	N/A	4.2	N/A	98

PVE Performance (1400rpm)

Model	Capacity m ³ /s		Run Amps (A)		dBA (1m)	
	1 Ph	3 Ph	1 Ph	3 Ph	1 Ph	3 Ph
PVE 40	1.20	1.19	1.3	0.7	76	76
PVE 50	2.16	2.24	3.3	1.6	83	83
PVE 60	3.77	3.77	8.3	3.1	90	90
PVE 75	N/A	4.93	N/A	4.4	N/A	94
PVE 90	N/A	9.63	N/A	13.4	N/A	107

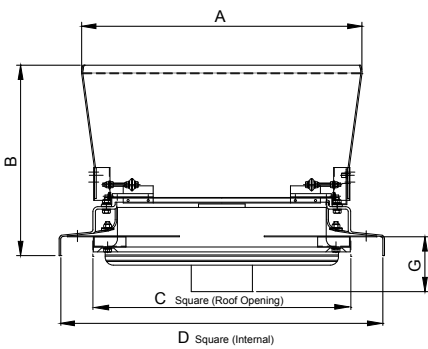
Powrjet

Extract Systems

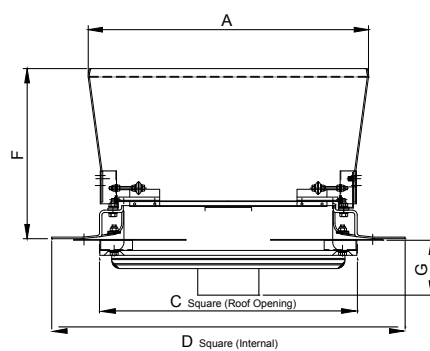


Overview

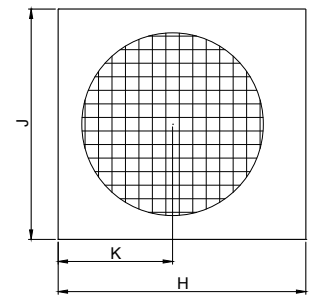
A high performance environmental powered extract fan, which comes in a range of high velocity extractors, purpose-designed to provide powerful discharge in harsh environments. Capable of tackling dust, fume and condensation problems to ventilate the area.



PJE Turndown



PJE Flat



PJE Dimensions

Model	A	B	C	D	F	G	H	J	K	Weight
	mm	mm	mm	mm	mm	mm	mm	mm	mm	Kg
PJE 40	567	400	535	692	355	106	815	750	375	27
PJE 50	687	460	635	790	415	135	920	850	425	38
PJE 60	878	552	790	945	507	198	1150	1085	543	51
PJE 75	1039	639	940	1095	594	199	1260	1155	578	76
PJE 90	1251	745	1170	1325	700	559	1545	1425	712	144

PJE Performance (900rpm)

Model	Capacity m ³ /s		Run Amps (A)		dBA (1m)	
	1 Ph	3 Ph	1 Ph	3 Ph	1 Ph	3 Ph
PJE 40	0.81	0.82	0.5	0.3	65	65
PJE 50	1.54	1.69	1.1	0.6	72	72
PJE 60	3.0	3.01	2.9	1.3	80	80
PJE 75	N/A	4.16	N/A	2.7	N/A	86
PJE 90	N/A	8.44	N/A	4.2	N/A	99

PJE Performance (1400rpm)

Model	Capacity m ³ /s		Run Amps (A)		dBA (1m)	
	1 Ph	3 Ph	1 Ph	3 Ph	1 Ph	3 Ph
PJE 40	1.35	1.36	1.3	0.7	76	76
PJE 50	2.42	2.50	3.3	1.6	83	83
PJE 60	4.58	4.62	8.3	3.1	91	91
PJE 75	N/A	6.04	N/A	4.4	N/A	94
PJE 90	N/A	4.72	N/A	13.4	N/A	108